

# EXfork



## MAX-3

Innovation to Create New Market

## CPC/Q(D)20-35T3

Diesel/Gasoline Forklift 2.0/2.5/3.0/3.5t

ООО "Эксфорк-Трейд"  
[www.ep-exfork.ru](http://www.ep-exfork.ru)



# CPC/Q(D)20T3

## T3 series 2.0 forklift specification:

General	1		EP							
	2		CPC20T3	CPCD20T3	CPCD20T3	CPCD20T3	CPCD20T3	CPCD20T3	CPQD20T3	
Characteristics & Dimensions	3		Diesel	Diesel	Diesel	Diesel	Diesel	Diesel	Gasoline	
	4		Kg	2000	2000	2000	2000	2000	2000	
	5		mm	500	500	500	500	500	500	
	6		B	3000	3000	3000	3000	3000	3000	
	7		E	120	120	120	120	120	120	
	8		L×W×T	J/W/T	mm	1070×120×40	1070×120×40	1070×120×40	1070×120×40	1070×120×40
	9		F/R	F/K (°)	deg	6/10	6/10	6/10	6/10	6/10
	10		K	mm	481	481	481	481	481	481
	11		M	mm	430	430	430	430	430	
	12		Y	mm	2510	2510	2510	2510	2510	
	13		Q	mm	1150	1150	1150	1150	1150	
	14		C	mm	2050	2050	2050	2050	2050	
	15		A	mm	4200	4200	4200	4200	4200	
	16		P	mm	2160	2160	2160	2160	2160	
	17		R	mm	2170	2170	2170	2170	2170	
	Performance	18		Km/h	8/20	20	20	20	20	20
		19		mm/sec	450	450	450	450	450	
20		mm/sec	400	400	400	400	400			
21		N	14000	14000	14000	14000	14000	14000		
22		%	20	20	20	20	20	20		
Chassis	23		mm	700-12-12PR	700-12-12PR	700-12-12PR	700-12-12PR	700-12-12PR	700-12-12PR	
	24		mm	600-9-10PR	600-9-10PR	600-9-10PR	600-9-10PR	600-9-10PR	600-9-10PR	
	25		U	mm	970	970	970	970	970	
	26		V	mm	970	970	970	970	970	
	27		L	mm	1600	1600	1600	1600	1600	
	28		mm	135/120	135/120	135/120	135/120	135/120	135/120	
29		mm	160/145	160/145	160/145	160/145	160/145	160/145		
Weight	30		Kg	3380	3380	3380	3380	3380	3380	
	31		Kg	4670	4670	4670	4670	4670	4670	
	32		Kg	710	710	710	710	710	710	
	33		Kg	1450	1450	1450	1450	1450	1450	
34		Kg	1930	1930	1930	1930	1930	1930		
Power & transmission	35		V/Ah	12/80	12/80	12/60	12/60	12/60	12/60	
	36		C498BPG-25	A498BT1-39	S4S	C240	TD27	GK25		
	37		CHINA	CHINA	Mitsubishi	ISUZU	GCT	GCT		
	38		kw	36.8/2650	36.8/2400	35.3/2250	34.5/2500	38.5/2300	37.4/2300	
	39		N.m	156/1700-1900	186/1600-1800	166/1700	139/1800	160/2300	176.5/1600	
	40			4	4	4	4	4		
	41		mm	90×105	95×105	94×120	86×102	96/92	89×100	
	42		cc	2670	2980	3331	2369	2663	2488	
	43			EURIII	EURIII	EURIII	EURIII	/	/	
	44		L	60	70	60	60	60	60	
	45		CHINA	CHINA	CHINA	CHINA	CHINA	CHINA	CHINA	
	46			Mechanical / Powershift	Mechanical / Powershift	Powershift	Powershift	Powershift	Powershift	
	47		FWD/RVS		2/2	1/1	1/1	1/1	1/1	
	48		Mpa	17.5	17.5	17.5	17.5	17.5	17.5	

1.Special lifting height available ( 2-stage mast :2.5m,2.7m,3.0m,3.3m,3.5m,3.6m,3.7m,4m,4.3m,4.5m,5m. Full Free Duplex Mast 3.0m,3.3m,3.5m,3.6m,4.0m. 3-stage mast : 4.3m,4.5m,4.8m,5m,5.5m,6m,6.5m,7.0m)

2.Attachment available. 3.The specification in the table are for standard models only,For further information please contact us. 4.Specification are subject to change without notice.

# CPC/Q(D)25T3

## T3 series 2.5 forklift specification:

General	1		EP						
	2		CPC25T3	CPCD25T3	CPCD25T3	CPCD25T3	CPCD25T3	CPCD25T3	CPQD25T3
	3		Diesel	Diesel	Diesel	Diesel	Diesel	Diesel	Gasoline
	4		2500	2500	2500	2500	2500	2500	2500
	5		mm	500	500	500	500	500	500
	6		B	mm	3000	3000	3000	3000	3000
	7		E	mm	120	120	120	120	120
	8		L×W×T	J/W/T	mm	1070×120×40	1070×120×40	1070×120×40	1070×120×40
	9		F/R	F/K (°)	deg	6/10	6/10	6/10	6/10
	10		K	mm	481	481	481	481	481
	11		M	mm	500	500	500	500	500
	12		Y	mm	2580	2580	2580	2580	2580
	13		Q	mm	1150	1150	1150	1150	1150
	14		C	mm	2050	2050	2050	2050	2050
	15		A	mm	4200	4200	4200	4200	4200
	16		P	mm	2160	2160	2160	2160	2160
	17		R	mm	2240	2240	2240	2240	2240
	18			Kn/h	8/20	20	20	20	20
	19			mm/sec	450	450	450	450	450
	20			mm/sec	400	400	400	400	400
	21			N	14500	14500	14500	14500	14500
	22			%	20	20	20	20	20
	23		Front	mm	700-12-12PR	700-12-12PR	700-12-12PR	700-12-12PR	700-12-12PR
	24		Rear	mm	600-9-10PR	600-9-10PR	600-9-10PR	600-9-10PR	600-9-10PR
	25		U	mm	970	970	970	970	970
	26		V	mm	970	970	970	970	970
	27		L	mm	1600	1600	1600	1600	1600
	28		Lowest	mm	135/120	135/120	135/120	135/120	135/120
	29		Wheelbase center	mm	160/145	160/145	160/145	160/145	160/145
	30			Kg	3770	3770	3770	3770	3770
	31			Kg	5480	5480	5480	5480	5480
	32		Front	Kg	790	790	790	790	790
	33		Front	Kg	1410	1410	1410	1410	1410
	34		Rear	Kg	2360	2360	2360	2360	2360
	35		V/Ah		12/80	12/80	12/60	12/60	12/60
	36				C490BPG-25	C490BPG-25	S4S	C240	GK25
	37				CHINA	CHINA	Mitsubishi	ISUZU	GCT
	38			kw	36.8/2650	36.8/2650	35.3/2250	34.5/2500	38.5/2300
	39			N.m	156/1700-1900	156/1700-1900	166/1700	139/1800	160/2300
	40				4	4	4	4	4
	41			mm	90×105	90×105	94×120	86×102	96/92
	42			cc	2670	2670	3331	2369	2663
	43				EURIII	EURIII	EURIII	EURIII	/
	44			L	60	60	60	60	60
	45				CHINA	CHINA	CHINA	CHINA	CHINA
	46				Mechanical	Powershift	Powershift	Powershift	Powershift
	47		FWD/RVS		2/2	2/2	1/1	1/1	1/1
	48			Mpa	17.5	17.5	17.5	17.5	17.5

1.Special lifting height available ( 2-stage mast :2.5m,2.7m,3.0m,3.3m,3.6m,3.7m,4m,4.3m,4.5m,5m. Full Free Duplex Mast 3.0m,3.3m,3.5m,3.6m,4.0m. 3-stage mast : 4.3m,4.5m,4.8m,5m,5.5m,6m,6.5m,7.0m)

2.Attachment available. 3.The specification in the table are for standard models only,For further information please contact us. 4.Specification are subject to change without notice.

# CPC/Q(D)30T3

## T3 series 3.0 forklift specification:

		EP							
General	1	Manufacture							
	2	Model			CPC30T3	CPCD30T3	CPCD30T3	CPCD30T3	CPQ(D)30T3
	3	Power type			Diesel	Diesel	Diesel	Diesel	Gasoline
	4	Rated capacity		Kg	3000	3000	3000	3000	3000
	5	Load center		mm	500	500	500	500	500
Characteristics & Dimensions	6	Lift height		B	mm	3000	3000	3000	3000
	7	Free lift height		E	mm	120	120	120	120
	8	Fork size		L×W×T	J/W/T	mm	1070×125×45	1070×125×45	1070×125×45
	9	Mast tilt range		F/R	F/K (°)	deg	6/10	6/10	6/10
	10	Fork overhang(wheel center to fork face)		K	mm	481	481	481	481
	11	Rear overhang		M	mm	500	500	500	500
	12	Overall dimensions	Length to face of fork		Y	mm	2710	2710	2710
	13		Overall width		Q	mm	1230	1230	1230
	14		Mast lowered height		C	mm	2070	2070	2070
	15		Mast extended height		A	mm	4210	4210	4210
	16		Overhead guard height		P	mm	2190	2190	2190
	17	Turning radius(outside)		R	mm	2500	2500	2500	2500
Performance	18	Speed	Travel (No load)		Kn/h	8/20	20	20	20
	19		Lifting (Full load)		mm/sec	470	470	470	
	20		Lowering (Full load)		mm/sec	400	400	400	
	21	Max.Drawbar Pull (Full load)		N	20000	21000	21000	21000	
22	Max.Gradeability (Full load)		%	20	20	20	20		
Chassis	23	Tyres	Front	mm	28×9-15-14PR	28×9-15-14PR	28×9-15-14PR	28×9-15-14PR	
	24		Rear	mm	6.50-10-10PR	6.50-10-10PR	6.50-10-10PR	6.50-10-10PR	
	25	Tread	Front	U	mm	1010	1010	1010	
	26		Rear	V	mm	980	980	980	
	27	Wheelbase		L	mm	1750	1750	1750	
	28	Ground clearance	Lowest		mm	150/120	150/120	150/120	
29	Wheelbase center		mm	170/150	170/150	170/150			
Weight	30	Self weight		Kg	4120	4120	4120		
	31	Weight Distribution	Full load	Front	Kg	6420	6420	6420	
	32			Rear	Kg	700	700	700	
	33		No load	Front	Kg	1720	1720	1720	
34	Rear			Kg	2400	2400	2400		
Power & transmission	35	Battery		V/Ah	12/80	12/80	12/60		
	36	Modal			C490BPG-25	A498BT1-39	S4S		
	37	Manufacture			CHINA	CHINA	Mitsubishi		
	38	Rated output/r.p.m		kw	36.8/2650	36.8/2400	35.3/2250		
	39	Rated torque/r.p.m		N.m	156/1700-1900	186/1600-1800	166/1700		
	40	No.of cylinder			4	4	4		
	41	Bore×Stroke		mm	90×105	95×105	94×120		
	42	Displacement		cc	2670	2980	3331		
	43	Emission standard			EURIII	EURIII	EURIII		
	44	Fuel tank capacity		L	60	70	70		
	45	Manufacture			CHINA	CHINA	CHINA		
	46	Transmissions			Mechanical / Powershift	Mechanical / Powershift	Powershift		
47	Stage		FWD/RVS		2/2	1/1			
48	Operating pressure			Mpa	17.5	17.5			

1.Special lifting height available ( 2-stage mast :2.5m,2.7m,3.0m,3.3m,3.5m,3.6m,3.7m,4m,4.3m,4.5m,5m. Full Free Duplex Mast 3.0m,3.3m,3.5m,3.6m,4.0m. 3-stage mast : 4.3m,4.5m,4.8m,5m,5.5m,6m,6.5m,7.0m)  
 2.Attachment available. 3.The specification in the table are for standard models only,For further information please contact us. 4.Specification are subject to change without notice.

# CPC/Q(D)35T3

## T3 series 3.5 forklift specification:

General	1			EP					
	2			CPC35T3	CPCD35T3	CPCD35T3	CPCD35T3	CPQD35T3	
Characteristics & Dimensions	3			Diesel	Diesel	Diesel	Diesel	Gasoline	
	4			Kg	3500	3500	3500	3500	
	5			mm	500	500	500	500	
	6			B	mm	3000	3000	3000	3000
	7			E	mm	120	120	120	120
	8		L×W×T	J/W/T	mm	1070×125×50	1070×125×50	1070×125×50	1070×125×50
	9		F/R	F/K (°)	deg	6/10	6/10	6/10	6/10
	10			K	mm	481	481	481	481
	11			M	mm	550	550	550	550
	12		Length to face of fork	Y	mm	2760	2760	2760	2760
	13		Overall width	Q	mm	1230	1230	1230	1230
	14		Mast lowered height	C	mm	2070	2070	2070	2070
	15		Mast extended height	A	mm	4210	4210	4210	4210
	16		Overhead guard height	P	mm	2190	2190	2190	2190
	17			R	mm	2550	2550	2550	2550
	Performance	18			Km/h	8/20	20	20	20
		19			mm/sec	460	460	460	460
20				mm/sec	400	400	400		
21				N	21000	21000	21000	21000	
22				%	20	20	20	20	
Chassis	23		Front	mm	28×9-15-14PR	28×9-15-14PR	28×9-15-14PR	28×9-15-14PR	
	24		Rear	mm	6.50-10-10PR	6.50-10-10PR	6.50-10-10PR	6.50-10-10PR	
	25		Font	U	mm	1010	1010	1010	
	26		Rear	V	mm	980	980	980	
	27			L	mm	1750	1750	1750	
	28		Lowest		mm	150/120	150/120	150/120	
29		Wheelbase center		mm	170/150	170/150	170/150	170/150	
Weight	30			Kg	4400	4400	4400	4400	
	31			Kg	7140	7140	7140	7140	
	32		Full load		Kg	760	760	760	
	33		Front		Kg	1680	1680	1680	
	34		Rear		Kg	2720	2720	2720	
Power & transmission	35			V/Ah	12/80	12/80	12/60	12/60	
	36				C490BPG-25	A498BT1-39	S4S	TD27	
	37				CHINA	CHINA	Mitsubishi	GCT	
	38				kw	36.8/2650	36.8/2400	35.3/2250	38.5/2300
	39				N.m	156/1700-1900	186/1600-1800	166/1700	160/2300
	40					4	4	4	4
	41				mm	90×105	95×105	94×120	96/92
	42				cc	2670	2980	3331	2663
	43					EURIII	EURIII	EURIII	/
	44				L	60	70	70	60
	45					CHINA	CHINA	CHINA	CHINA
	46					Mechanical / Powershift	Mechanical / Powershift	Powershift	Powershift
	47		FWD/RVS			2/2	2/2	1/1	1/1
	48				Mpa	17.5	17.5	17.5	17.5

1.Special lifting height available ( 2-stage mast :2.5m,2.7m,3.0m,3.3m,3.5m,3.6m,3.7m,4m,4.3m,4.5m,5m. Full Free Duplex Mast 3.0m,3.3m,3.5m,3.6m,4.0m. 3-stage mast : 4.3m,4.5m,4.8m,5m,5.5m,6m,6.5m,7.0m)

2.Attachment available. 3.The specification in the table are for standard models only,For further information please contact us. 4.Specification are subject to change without notice.

# Mast Option

2.0-2.5tT3 series mast: (pneumatic)

Type	Model	Max. fork height	Overall height				Free lift		Front Overhang		Tilt range		Capacity			
			Lowered	Extended		Without backrest	With backrest	FWD			BWD	Load capacity at 500 mm				
				Without backrest	With backrest							Single tire		Double tire		
			mm	mm	mm	mm	mm	mm	mm	Deg	Deg	kg	kg	kg	kg	
Wide view mast	2W200	2000	1550	2740	3420	120	120	476	476	6	10	2000	2500	2000	2500	
	2W250	2500	1800	3040	3720	120	120	476	476	6	10	2000	2500	2000	2500	
	2W270	2700	1900	3240	3920	120	120	476	476	6	10	2000	2500	2000	2500	
	2W300	3000	2050	3540	4220	120	120	476	476	6	10	2000	2500	2000	2500	
	2W330	3300	2200	3690	4370	120	120	476	476	6	10	2000	2500	2000	2500	
	2W350	3500	2300	3890	4570	120	120	476	476	6	10	2000	2500	2000	2500	
	2W360	3600	2350	3990	4670	120	120	476	476	6	10	2000	2500	2000	2500	
	2W400	4000	2600	4040	4720	120	120	476	476	6	10	1900	2300	2000	2500	
	2W430	4300	2750	4340	5020	120	120	476	476	6	6	1800	2100	1950	2450	
2W450	4500	2850	4290	4970	120	120	476	476	6	6	1700	2000	1900	2400		
Wide view full 2-stage mast	2F250	2500	1785	2090	2770	1210	560	476	476	6	10	2000	2500	2000	2500	
	2F270	2700	1885	2290	2970	1310	660	476	476	6	10	2000	2500	2000	2500	
	2F300	3000	2035	2590	3270	1460	810	476	476	6	10	2000	2500	2000	2500	
	2F330	3300	2185	3840	4520	1610	960	476	476	6	10	2000	2500	2000	2500	
	2F360	3600	2335	4140	4820	1760	1110	476	476	6	10	2000	2500	2000	2500	
	2F400	4000	2585	4540	5220	2060	1410	476	476	6	10	1900	2300	2000	2500	
Wide view full 3-stage mast	3F430	4300	2035	4880	5560	1360	730	490	490	6	6	1700	2000	1900	2400	
	3F450	4500	2115	5040	5720	1460	810	490	490	6	6	1600	1900	1800	2300	
	3F480	4800	2220	5345	6020	1565	915	490	490	6	6	1500	1700	1700	2100	
	3F500	5000	2305	5540	6220	1610	960	490	490	6	6	1400	1600	1600	2000	
	3F550	5500	2555	6120	6800	1770	1120	490	490	3	6	1050	1200	1500	1800	
	3F600	6000	2805	6540	7220	2020	1370	490	490	3	6	700	800	1400	1600	

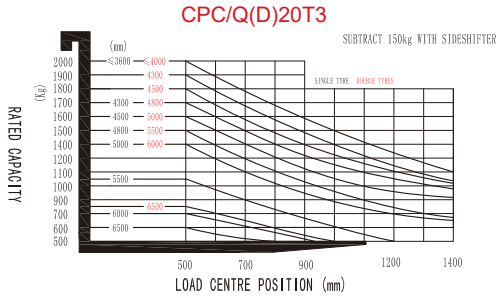
Note:1、 With sideshifter minus 150Kg, with integral sideshifter minus 100Kg.

3.0-3.5t T3 series mast: (pneumatic)

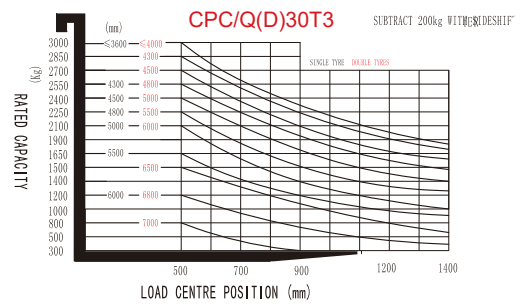
Type	Model	Max. fork height	Overall height				Free lift		Front Overhang		Tilt range		Capacity			
			Lowered	Extended		Without backrest	With backrest	FWD			BWD	Load capacity at 500 mm				
				Without backrest	With backrest							Single tire		Double tire		
			mm	mm	mm	mm	mm	mm	mm	Deg	Deg	kg	kg	kg	kg	
Wide view mast	2W200	2000	1570	2570	3250	120	120	481	486	6	10	3000	3000	3500	3500	
	2W250	2500	1820	3070	3750	120	120	481	486	6	10	3000	3000	3500	3500	
	2W270	2700	1920	3270	3950	120	120	481	486	6	10	3000	3000	3500	3500	
	2W300	3000	2070	3570	4250	120	120	481	486	6	10	3000	3000	3500	3500	
	2W330	3300	2220	3690	4370	120	120	481	486	6	10	3000	3000	3500	3500	
	2W350	3500	2320	3890	4570	120	120	481	486	6	10	3000	3000	3500	3500	
	2W360	3600	2370	3990	4670	120	120	481	486	6	10	3000	3000	3500	3500	
	2W400	4000	2620	4040	4720	120	120	481	486	6	10	2850	3000	3250	3500	
	2W430	4300	2770	4340	5020	120	120	481	486	6	6	2700	2900	3000	3400	
2W450	4500	2870	4290	4970	120	120	481	486	6	6	2550	2850	2850	3350		
Wide view full 2-stage mast	2F250	2500	1805	2220	2900	1210	560	481	486	6	10	3000	3000	3500	3500	
	2F270	2700	1905	2320	3000	1310	660	481	486	6	10	3000	3000	3500	3500	
	2F300	3000	2055	2620	3300	1460	810	481	486	6	10	3000	3000	3500	3500	
	2F330	3300	2205	3870	4550	1610	960	481	486	6	10	3000	3000	3500	3500	
	2F360	3600	2355	4020	4700	1760	1110	481	486	6	10	3000	3000	3500	3500	
	2F400	4000	2605	4420	5100	2060	1410	481	486	6	10	2850	3000	3250	3500	
Wide view full 3-stage mast	3F430	4300	2095	4910	5570	1360	730	495	500	6	6	2550	2850	2850	3350	
	3F450	4500	2175	5070	5750	1460	810	495	500	6	6	2400	2700	2700	3200	
	3F480	4800	2280	5375	6050	1565	915	495	500	6	6	2250	2550	2450	2950	
	3F500	5000	2365	5570	6250	1610	960	495	500	6	6	1650	2250	2300	2800	
	3F550	5500	2615	6150	6830	1770	1120	495	500	3	6	1800	2250	1800	2550	
	3F600	6000	2865	6570	7250	2020	1370	495	500	3	6	1200	2100	1300	2300	

Note:1、 With sideshifter minus 200Kg, with integral sideshifter minus 150Kg.

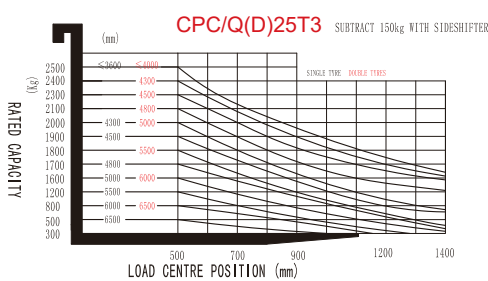
RATED CAPACITIES AND LOAD CENTERS GRAPH



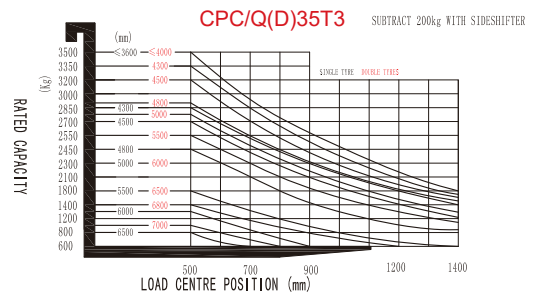
RATED CAPACITIES AND LOAD CENTERS GRAPH



RATED CAPACITIES AND LOAD CENTERS GRAPH



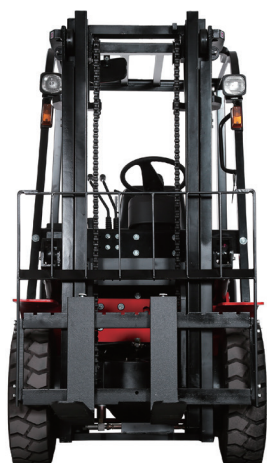
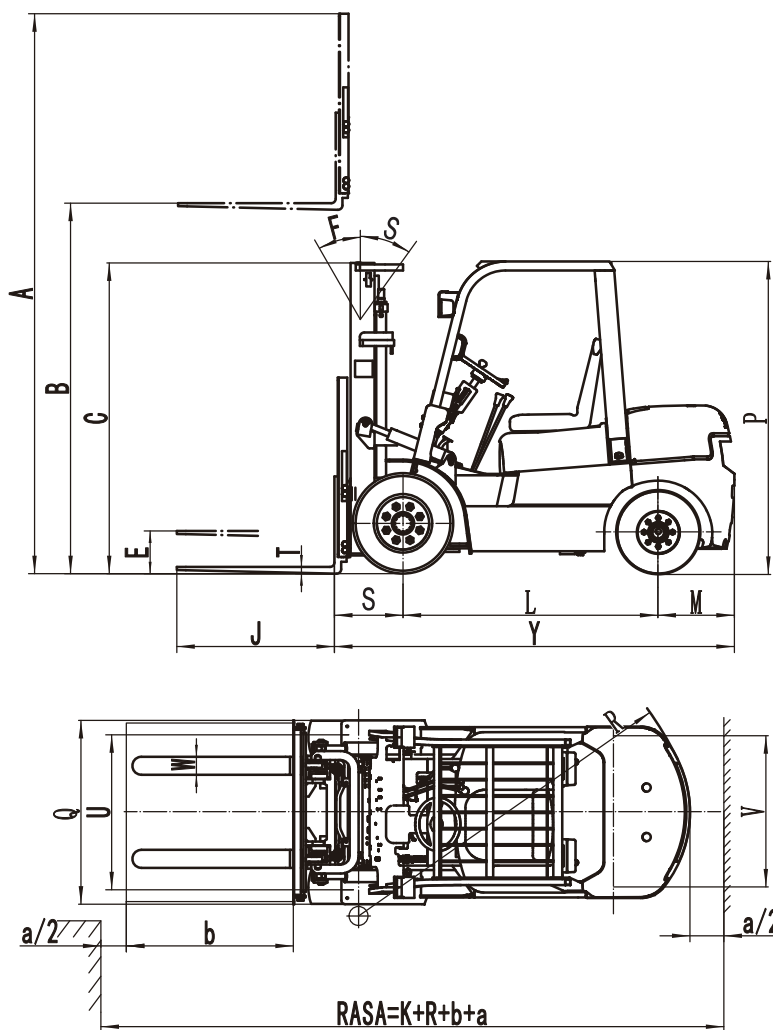
RATED CAPACITIES AND LOAD CENTERS GRAPH



## Option

Options	20T3	25T3	30T3	35T3
1 Fork length	○	○	○	○
2 Fork extension	○	○	○	○
3 Folded fork	○	○	○	○
4 Imported diesel engine	○	○	○	○
5 Import Gasoline Engine	○	○	○	○
8 LPG system	○	○	○	○
9 High exhaust	○	○	○	○
10 Double air filtration	○	○	○	○
11 Solid rubber tire	○	○	○	○
12 No marking solid tire	○	○	○	○
14 Overhead guard	○	○	○	○
15 Mast options	○	○	○	○
16 Attachments	○	○	○	○
17 Integrated side shift	○	○	○	○
19 Cockpit	●	●	●	●
20 Heater	○	○	○	○
21 Front windshield with wiper	○	○	○	○
22 Rear windshield with wiper	○	○	○	○
23 Simple cabin room	○	○	○	○
24 LED lights	○	○	○	○
25 Fire extinguisher	○	○	○	○
26 Suspension seat	○	○	○	○
27 Seat switch	○	○	○	○
28 Warning light	○	○	○	○
29 Insulation mat	○	○	○	○
30 Double front tyre	○	○	○	○
31 Front work light	●	●	●	●
32 Rear working LED light	○	○	○	○
33 OPS system	○	○	○	○
34 fan	○	○	○	○

Note: ● standard ○ option — NA



**Exfork**

ООО "Эксфорк-Трейд"  
www.ep-exfork.ru